

# Pump **AFS SERIES**

PROVIDE LARGE FLOW AND HIGH EFFICIENCY  
For countercurrent system, water circulation, and commercial spa



## Product Features

1. Class insulation: 155(F)
2. IPX5 Waterproof standard
3. Low noise level
4. Build-in thermal protection
5. Stator applied by molding process with moisture resistance and heat security
6. Complete separation of water and the shaft, safe and reliable
7. High-quality wear-resistant mechanical seal

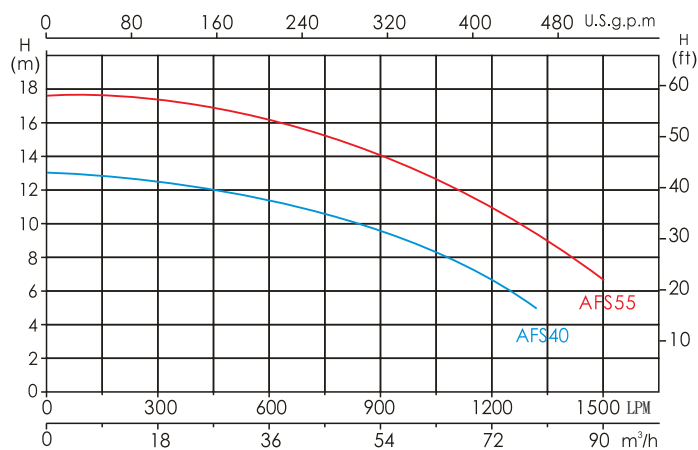
 **Emaux**  
water technology

**Pool & Spa Equipment**

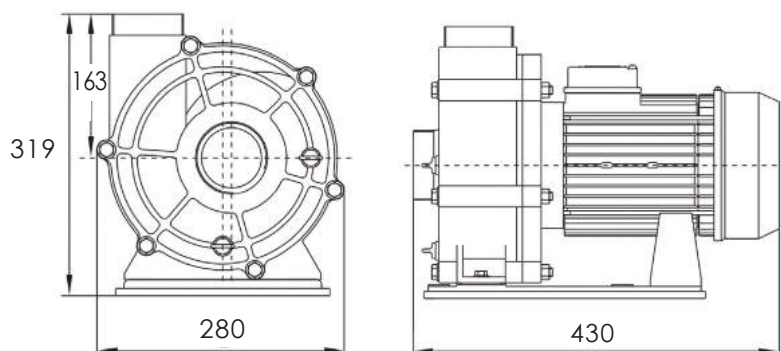


# AFS Series Pump

## Technical Information:



## Product Information and Dimension:



AFS Series Pump provides large flow and is specialized for countercurrent system, water circulation and spa system

Code 380V/50Hz	Model	Connection Size (IN)	Connection Size (OUT)	Horsepower	Weight (Kg)	Input (kW)	Current (AMP)	Noise (dB)	Head (m)				
									8	10	12	14	
										Flow Rate (m³/h)			
88028818	AFS40	2.5" / 75mm	2.5" / 75mm	4.0hp	25	3	5.2	72	65	50	27	-	
88028816	AFS55	2.5" / 75mm	2.5" / 75mm	5.5hp	26.2	4	7	73	85	76	67	54	

## EMAUX WATER TECHNOLOGY CO., LTD

ADDRESS G/F 41 TIN HAU TEMPLE ROAD,  
NORTH POINT, HONG KONG  
PHONE +852 2832 9880  
www.emauxgroup.com

Pool & Spa Equipment

STRIVE FOR CLEAR WATER

### Available from:

ALL SPECIFICATIONS ARE SUBJECT TO CHANGE WITHOUT NOTICE  
© 2018 EMAUX WATER TECHNOLOGY CO., LTD. ALL RIGHTS RESERVED.